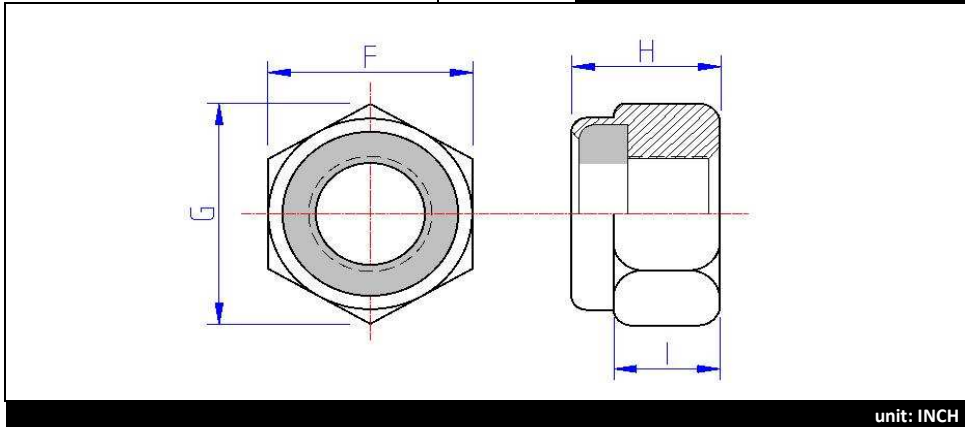




Brand	Root
	HNLNZ...



unit: INCH

Diam. of Thread		F		G	H	I	THREAD PER INCH
		Basic	Across Flat	Width across Corner	THICKNESS	Wrenching Height	
6-32	Min	5/16	0.302	0.399	0.168	0.103	32
	Max		0.313		0.188		
8-32	Min	11/32	0.332	0.374	0.219	0.140	32
	Max		0.345		0.239		
10-24	Min	3/8	0.362	0.410	0.229	0.140	24
	Max		0.376		0.249		
10-32	Min	3/8	0.362	0.410	0.229	0.140	32
	Max		0.376		0.249		
1/4	Min	7/16	0.430	0.488	0.298	0.225	20
	Max		0.439		0.328		
5/16	Min	1/2	0.489	0.557	0.329	0.250	18
	Max		0.502		0.359		
3/8	Min	9/16	0.551	0.628	0.438	0.335	16
	Max		0.564		0.468		
7/16	Min	5/8	0.616	0.698	0.438	0.324	14
	Max		0.627		0.468		
1/2	Min	3/4	0.736	0.840	0.579	0.464	13
	Max		0.752		0.609		
9/16	Min	7/8	0.861	0.982	0.626	0.469	12
	Max		0.877		0.656		
5/8	Min	15/16	0.922	1.051	0.735	0.593	11
	Max		0.940		0.765		
3/4	Min	1-1/16	1.052	1.191	0.860	0.742	10
	Max		1.064		0.890		
1	Min	1-7/16	1.427	1.619	1.016	Ref. min 0.825	8
	Max		1.440		1.078		

Hexagon Lock Nut with Nylon Insert (Grade NE2), Zinc plated

Thread must follow the UNC-UNF CLASS 2B specifications

Root= Hex Nylon Lock Nut Zinc

Bulk Label Description:

English: HEX, NYLON INSERT, LOCK NUT, ZINC

French: ÉCROU DE BLOCAGE HEX. AVEC INSERTION DE NYLON, ZINC

Spanish: TUERCA HEXAGONAL DE SEGURIDAD, ZINC

Date : 6 mars 2019

Done by : P.B.